

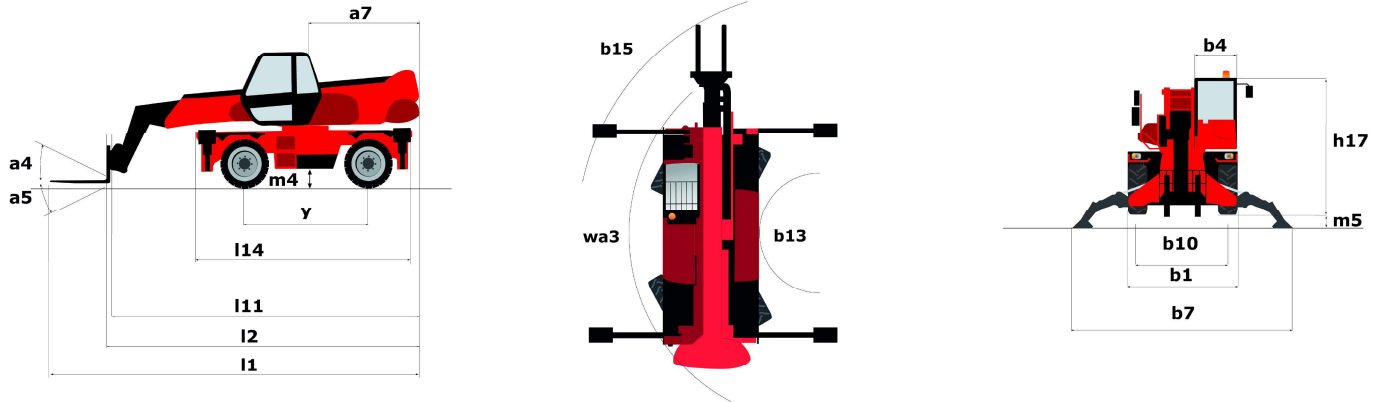
Technical sheet :

MRT 1840 EASY T4 S1 360°



Capacities		Metric	Imperial
Max. capacity	Q	4000 kg	8818 lbs
Max. lifting height	h3	17.9 m	58 ft 9 in
Max. Reach	l4	15.1 m	49 ft 6 in
Weight and dimensions			
Overall width	b1	2.4 m	7 ft 10 in
Overall height	h17	2.97 m	9 ft 9 in
Overall cab width	b4	0.95 m	3 ft 1 in
Ground clearance	m4	0.34 m	1 ft 1 in
Wheelbase	y	2.32 m	7 ft 7 in
Tilt-up angle	a4	12 °	12 °
Tilt-down angle	a5	105 °	105 °
Overall weight		13670 kg	30137 lbs
Forks length / width / section	l / e / s	1200 mm x 150 mm x 50 mm	47.244 in x 5.906 in x 1.969 in
Wheels			
Tyres type		Pneumatic	Pneumatic
Stabilisers			
Stabs Type		Wing Type	Wing Type
Controls with stabs		Stabs Commands Individual or Simultaneous	Stabs Commands Individual or Simultaneous
Engine			
Engine brand		Perkins	Perkins
Engine norm		Stage IV / Tier 4 Final	Stage IV / Tier 4 Final
Engine model		854 E-E 34 TA	854 E-E 34 TA
I.C. Engine power rating / Power (kW)		102 Hp / 75 kW	102 Hp / 75 kW
Max. torque / Engine rotation		430 Nm/m @ 1200 tr/min	430 Nm/m @ 1200 tr/min
Number of cylinders - Capacity of cylinders		4 - 3400 cm ³	4 - 207.48 in ³
Injection		engine Injection indirect	engine Injection indirect
Engine cooling system		Water	Water
Battery / Batteries capacity		12 V / 120 Ah	12 V / 120 Ah
Drawbar pull (Laden)		8600 daN	8600 daN
Transmission			
Transmission type		Hydrostatic	Hydrostatic
Number of gears (forward / reverse)		2 / 2	2 / 2
Max. travel speed (may vary according to applicable regulations)		32 km/h	19.9 mph
Parking brake		Automatic negative parking brake	Automatic negative parking brake
Service brake		Hydraulic	Hydraulic
Hydraulics			
Hydraulic pump type		Gear pump	Gear pump
Hydraulic flow		115 l/min	115 l/min
Hydraulic Pressure		270 Bar	19 PSI
Tank capacities			
Hydraulic oil		150 l	33 gal
Fuel tank		130 l	28.60 gal
Diesel Exhaust fluid (AdBlue® type)		19 l	4.18 gal
Noise and vibration			
Noise at driving position (LpA)		79.7 dB(A)	79.7 dB(A)
Noise to environment (LwA)		104 dB(A)	104 dB(A)
Vibration to whole hand/arm		< 2.50 m/s ²	< 2.50 m/s ²
Miscellaneous			
Controls		2 Joysticks	2 Joysticks
Safety cab homologation		Cab ROPS - FOPS Level 2	Cab ROPS - FOPS Level 2
Attachment recognition system (E-Reco)		Standard	Standard

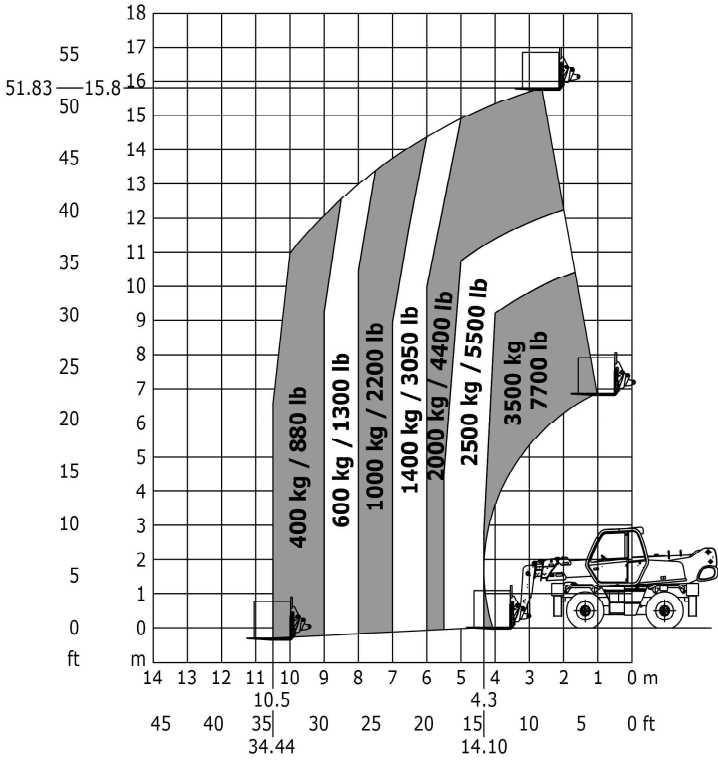
Dimensional drawing



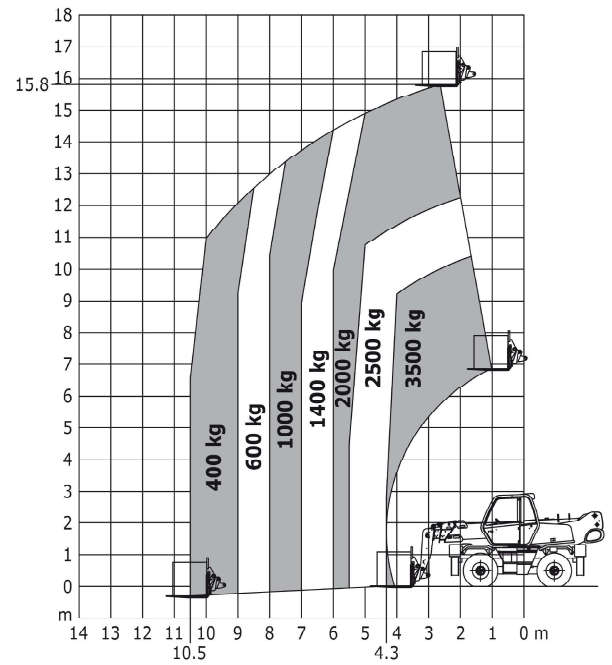
Other data		Metric	Imperial
Overall length (with forks)	l1	5.54 m	18 ft 2 in
Length to face of forks	l2	5.54 m	18 ft 2 in
Length of frame	l14	4.35 m	14 ft 3 in
Wheelbase	y	2.32 m	7 ft 7 in
Ground clearance	m4	0.34 m	1 ft 1 in
Counterweight offset (turret at 90°)	a7	2.49 m	8 ft 2 in
Tilt-up angle	a4	12 °	12 °
Tilt-down angle	a5	105 °	105 °
Overall length at stabilisers	l12	4.13 m	13 ft 7 in
Outer turning radius (with forks)	b15	3.9 m	12 ft 10 in
Overall width	b1	2.4 m	7 ft 10 in
Overall width with stabilisers extended	b7	3.98 m	13 ft 1 in
Overall cab width	b4	0.95 m	3 ft 1 in
Overall height	h17	2.97 m	9 ft 9 in
Frame Levelling Corrector	a9	0 °	0 °

Load chart

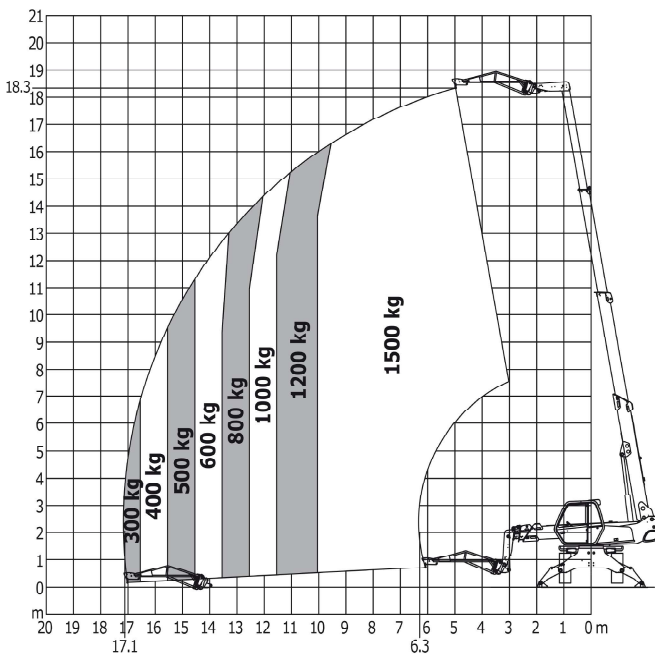
Load Chart metric



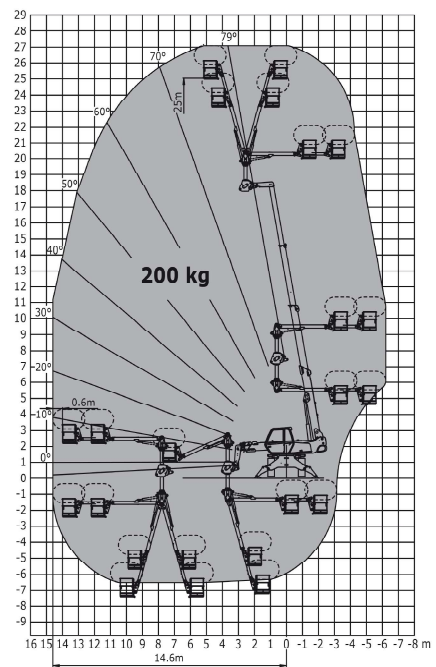
Machine on tyres with forks Metric



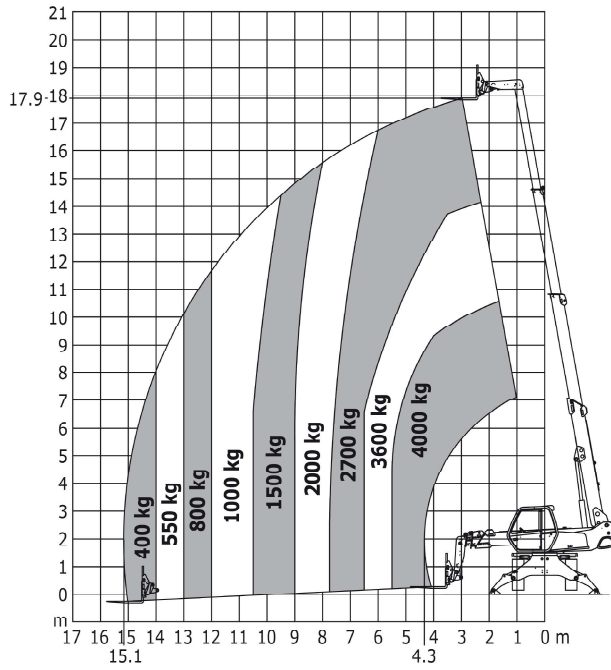
Rotation on lowered stabilisers with 1500 kg jib Metric



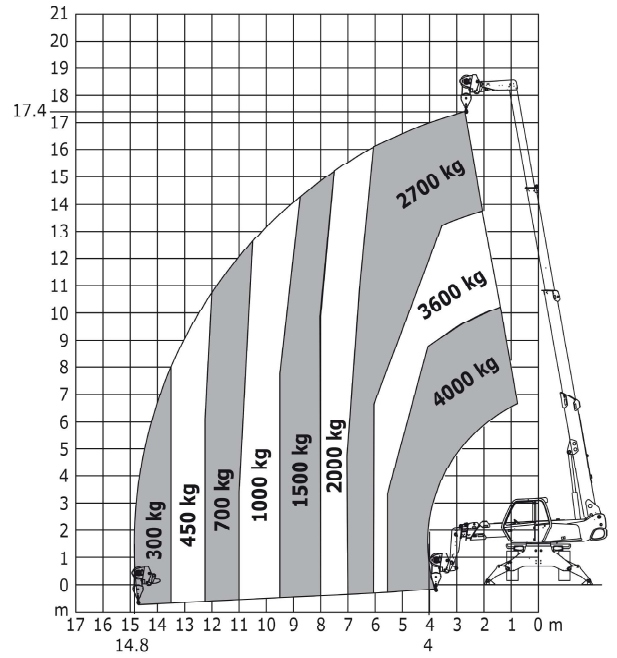
Rotation on lowered stabilisers with 3D positive / negative Metric



Rotation on lowered stabilisers with forks
Metric



Rotation on lowered stabilisers with winch
5000 kg Metric



Rotation on lowered stabilisers with 365/1000 kg platform
Metric

